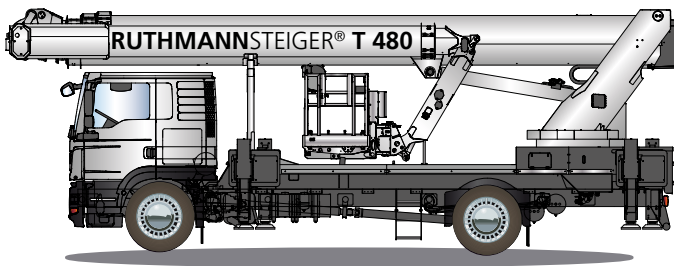


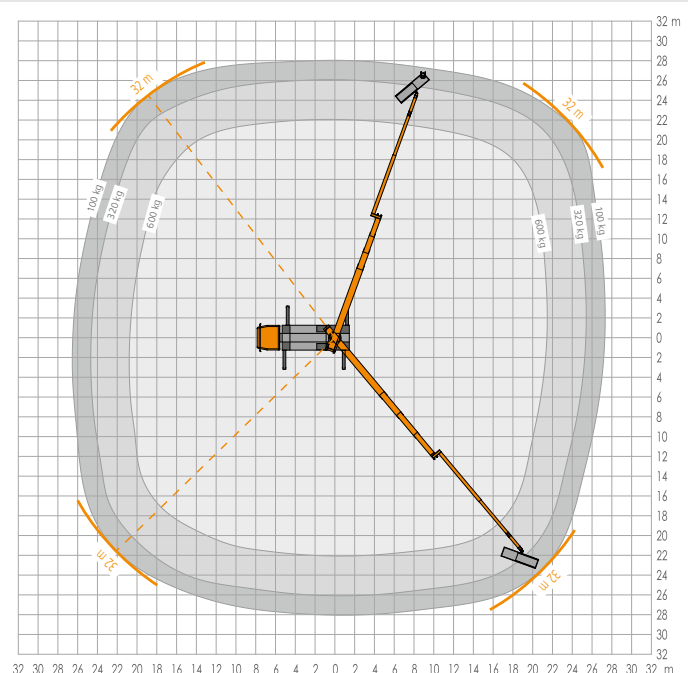
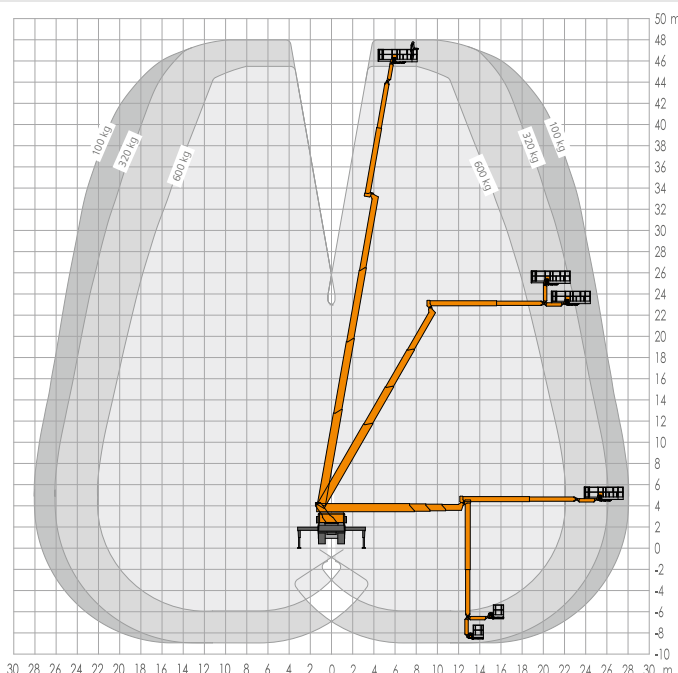
STEIGER® T 480



RUTHMANNSTEIGER® T 480

	Working height	48.00 m		Total height	≥ 3.75 m
	Lifting height	46.00 m		Total length	10.36 m
	Outreach*	32.00 m		Permissible inclination	2°
	Working cage size	2.42 x 0,97 m		Permissible total weight ≥	18,000 kg
	Max. working cage size	3.82 x 0.97 m		Range of rotation	500 °
	Working cage load	600 kg		Swivelling angle of the jib/RÜSSEL®	180°
* depending on load, angle of rotation and outfit				Swivelling angle of upper boom	180°

more information: www.ruthmann.de/t480en



All data has been included without warranty. All measurements and weights are approximate and refer to the standard basic execution. Technical alterations reserved. **STEIGER®**, **GELENKSTEIGER®**, **RÜSSEL®** and **CARGOLOADER®** are registered trademarks of **RUTHMANN GmbH & Co. KG**