

STEIGER® T 380 XS



**X**tra Short **X**tra Performance **X**tra Variable

STEIGER® T 380 XS – The Outreach giant





Insulated working cage



4x2-Chassis



4x4-Chassis

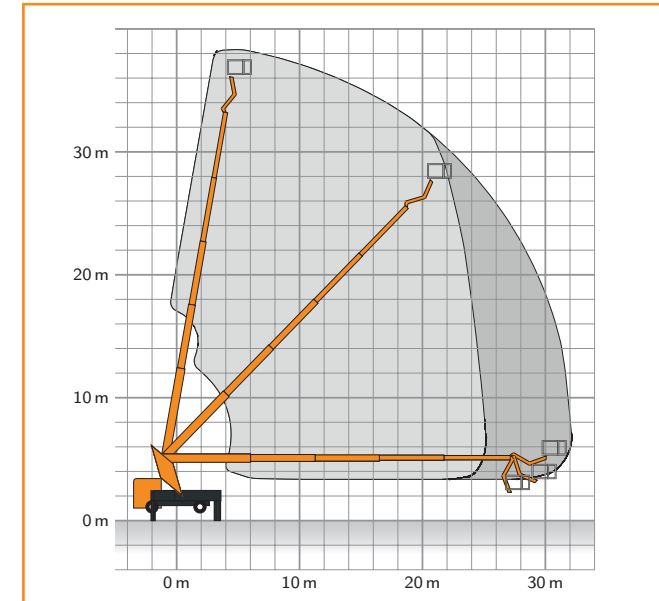
## Highlights:










**Extra Short**  
8.35 m Vehicle length (4x2)

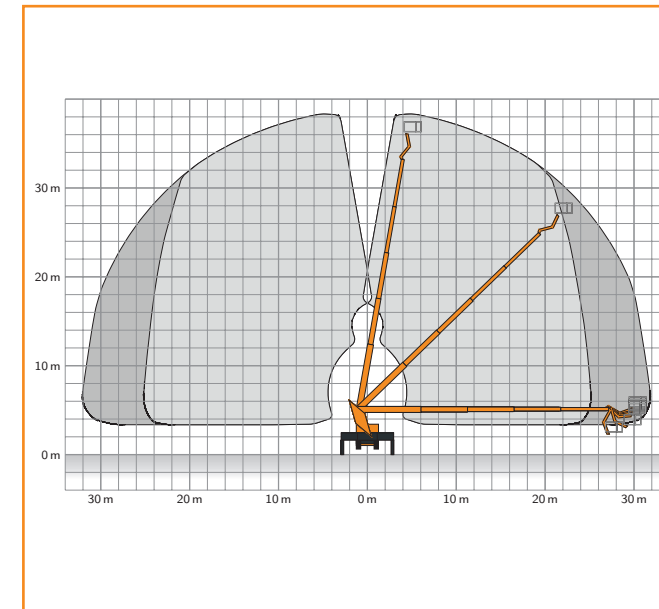
**Extra Performance**  
DRS as standard: Up to 8m more outreach than competitors at a working height of 32m

**Extra Variable**  
Variable turret offers numerous advantages e.g. loading close to the ground and underfloor work possible



|  |               |   |                      |
|--|---------------|---|----------------------|
|    | <b>38 m</b>   |    | <b>2.10 x 0.86 m</b> |
|   | <b>32.1 m</b> |   | <b>500 kg</b>        |
|  | <b>32.1 m</b> |  | <b>3.75 m (4x2)</b>  |
|  | <b>500°</b>   |  | <b>8.35 m (4x2)</b>  |
|  | <b>185°</b>   |  | <b>3.9 m</b>         |
|  | <b>5°</b>     |  | <b>18,000 kg</b>     |

-  38 m working height
-  Enormous lateral reach of 32.1 m
-  Compact overall length of just 8.35 m
-  Extremely high basket capacity of 500 kg
-  Comfortable loading of the basket close to the ground
-  Flexible working in road traffic - with increased safety, e.g. over parked vehicles
-  5° set-up inclination enables set up on rough terrain, such as inclined planes or slopes



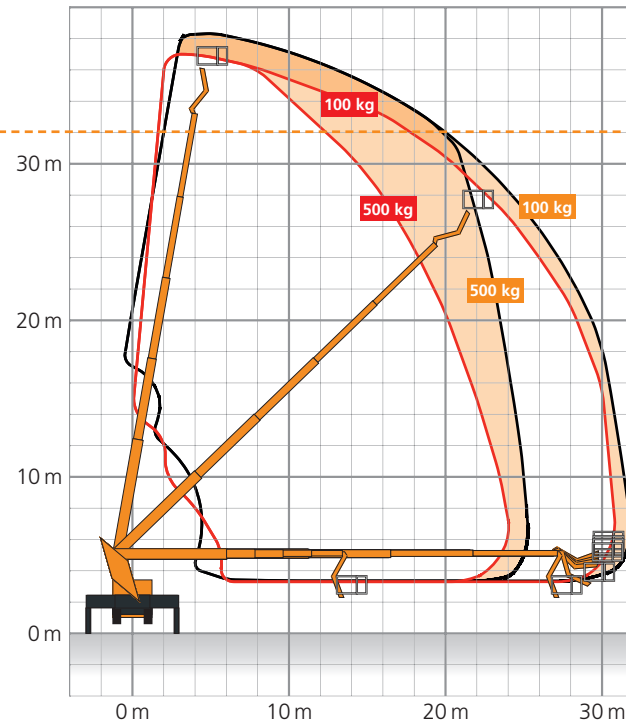
\*Subject to technical changes, all specifications are approximate

## Comparison of the working range

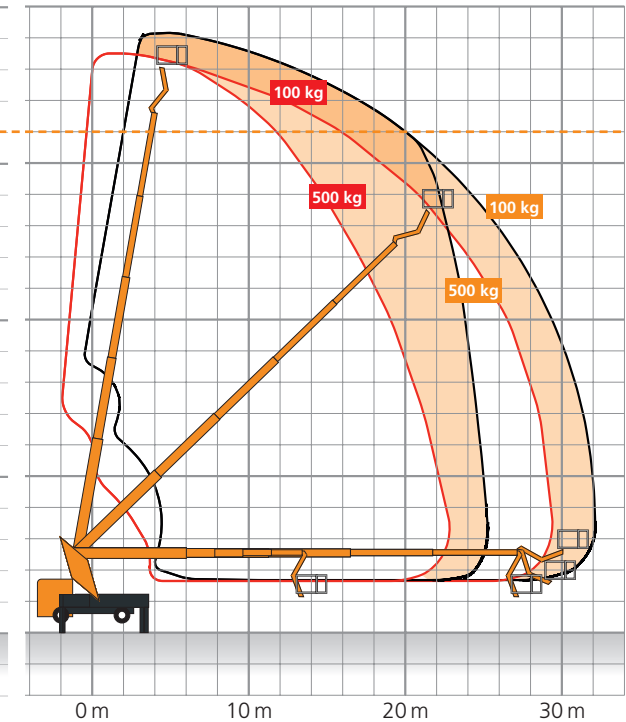
| STEIGER® vs. Competitor | max. reach 0° (m) |           | lateral reach 90° (m) |           | max. reach in 32 m WH 0° (m) |           | max. reach in 32 m WH 90° (m) |           |
|-------------------------|-------------------|-----------|-----------------------|-----------|------------------------------|-----------|-------------------------------|-----------|
|                         | 100 kg            | 500 kg    | 100 kg                | 500 kg    | 100 kg                       | 500 kg    | 100 kg                        | 500 kg    |
| <b>T 380 XS</b>         | <b>32.1</b>       | <b>25</b> | <b>32.1</b>           | <b>25</b> | <b>20</b>                    | <b>20</b> | <b>20</b>                     | <b>20</b> |
| <b>Competitor</b>       | 29.5              | 23        | 31.5                  | 24        | 16                           | 12        | 18                            | 13        |
| <b>Competitor</b>       | 29.5              | 25.5      | 29.5                  | 25.5      | 17                           | 17        | 14                            | 14        |

Up to 8 m more outreach at a working height of 32 m

T 380 XS Competitor



T 380 XS Competitor



All figures are approximate and subject to change

\*Subject to technical changes, all specifications are approximate

## STEIGER® T 380 XS: short overall length, high performance and simple operation

**X** Variable turret for more performance with short length and simple, intuitive operation

**X** Sturdy 5-fold carrier system made of fine-grained steel



**X** Equipped with DRS as standard for optimised performance data and high basket loads

**X** Plenty of space for bodies and cases

**X** Newly designed standard basket with holder for the lift-up system – optional 1,000v insulated

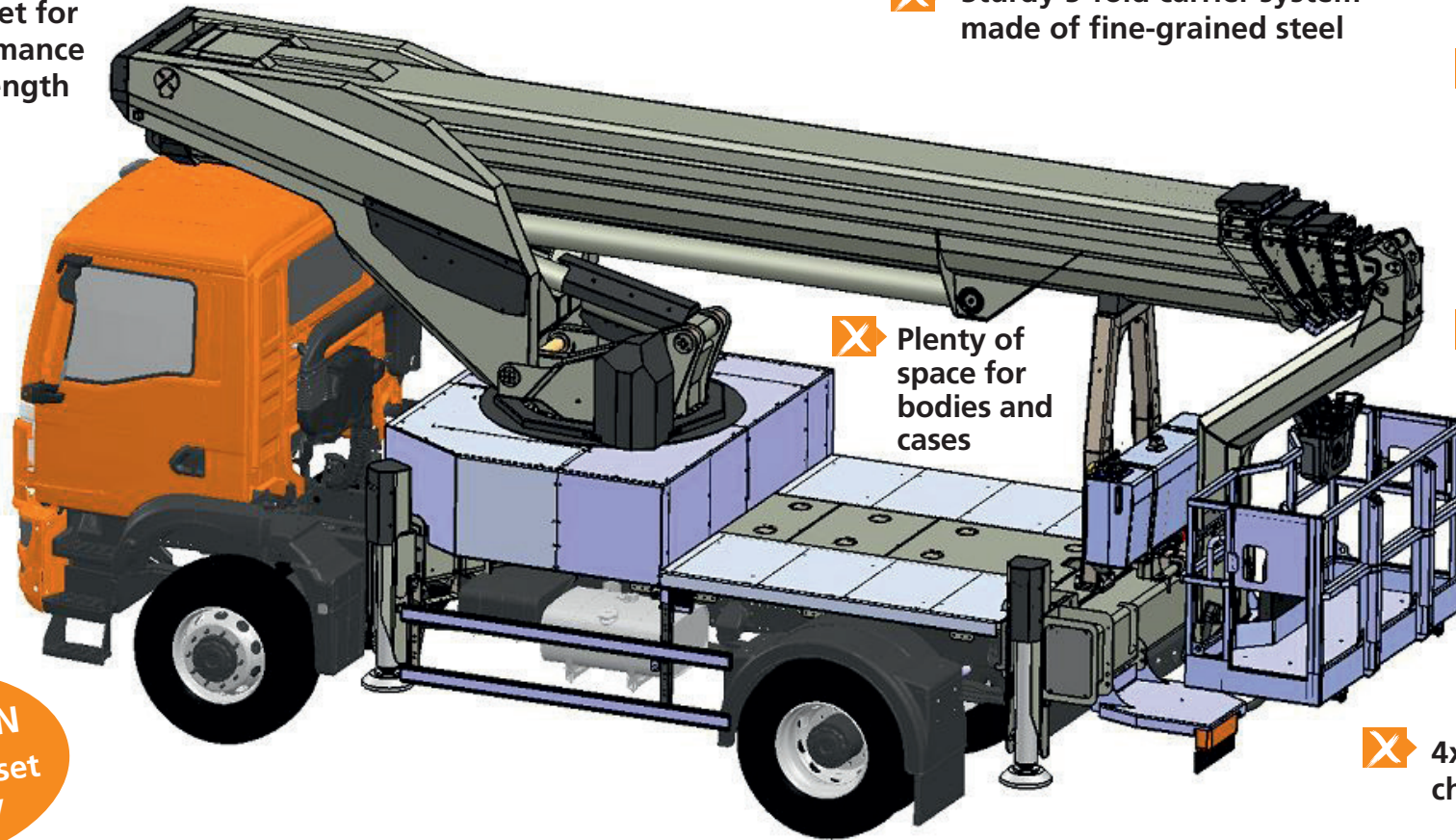
**X** 4x2 and 4x4 chassis possible

**INNOVATION**  
Turret can be set up variably

**X tra Short**  
8.35 m Vehicle length

**X tra Performance**  
32.1 m reach

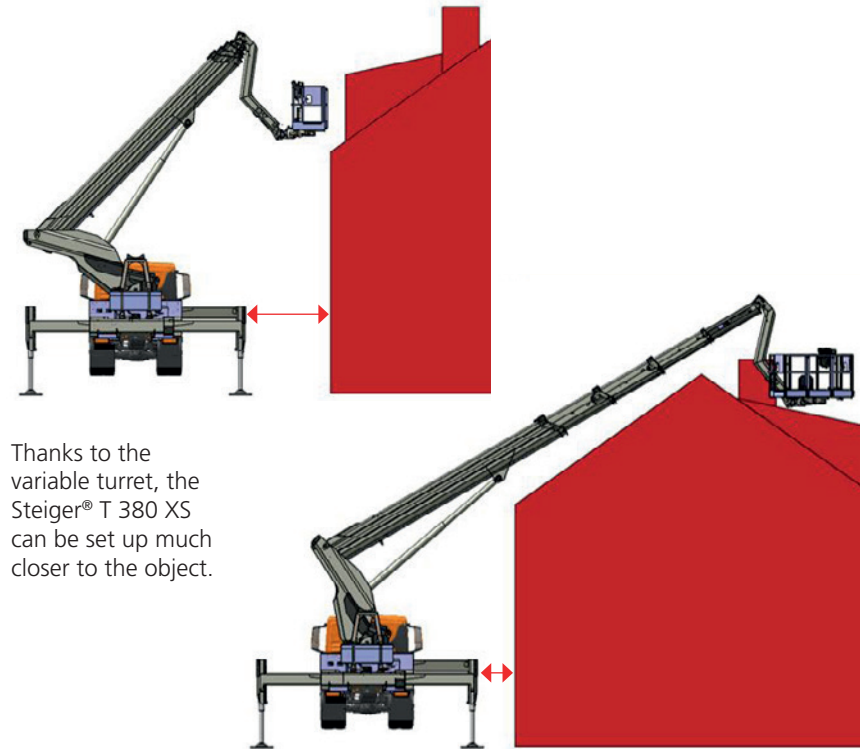
**X tra Variable**  
Variable turret offers numerous advantages and new application possibilities



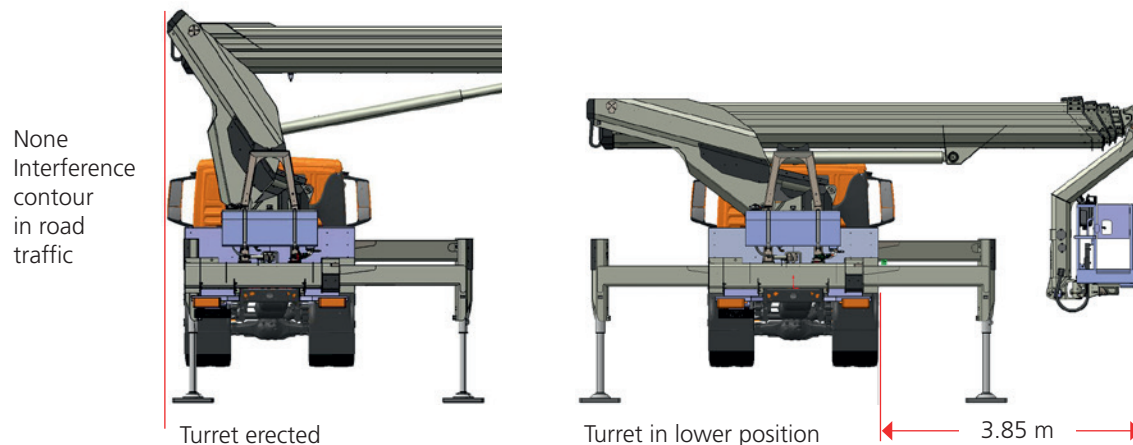
\* Subject to technical changes, all specifications are approximate. Illustration on 4x4 chassis

## The variable turret offers many advantages:

- ✕ 1.5 m more outreach: 32.1 m regardless of the slewing angle
- ✕ Up to 8 m more outreach at 32 m working height
- ✕ 1 m more working height: 38 m with 500 kg basket load
- ✕ Work with increased safety in road traffic
- ✕ Better accessibility to work sites behind obstructions and on facades. More flexibility in places that are difficult to access
- ✕ Safe working, e.g. over parked vehicles, thanks to higher overreach height of 4.5 m when the turret is raised
- ✕ Convenient loading of the basket close to the ground
- ✕ Underground work, e.g. over embankments, is possible thanks to the telescope's negative angle of up to  $-15^\circ$



Thanks to the variable turret, the Steiger® T 380 XS can be set up much closer to the object.

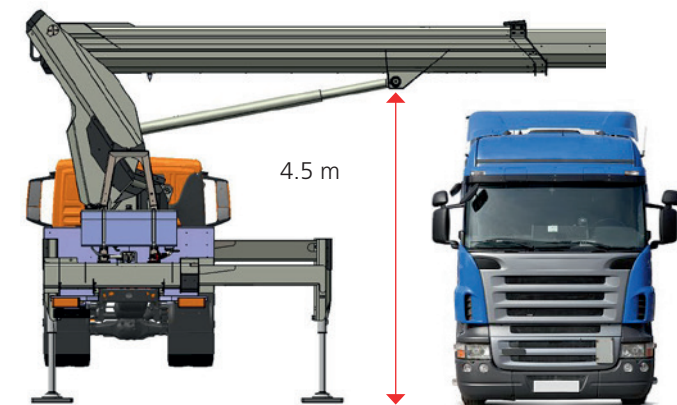


None Interference contour in road traffic

Turret erected

Turret in lower position

3.85 m



4.5 m

Working e.g. over parked lorries with the turret erected

All figures are approximate

## The right work basket for all applications

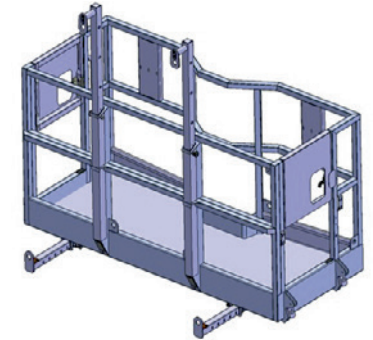
- ✕ Interchangeable basket system with:
 

|   |                            |               |                      |
|---|----------------------------|---------------|----------------------|
| ■ | Standard work basket:      | 2.10 x 0.86 m | 500 kg load capacity |
| ■ | Tree care work basket:     | 1.05 x 1.05 m | 500 kg load capacity |
| ■ | Insulated GRP work basket: | 1.71 x 0.85 m | 490 kg load capacity |
  
- ✕ Maximum basket load 500 kg (5 persons) at full working height
  
- ✕ GRP basket with best-in-class load capacity of 490 kg
  
- ✕ Standard and GRP basket available with optional 1,000 volt insulation.
  
- ✕ Standard work basket with preparation for the lift-up system from the HF series: 2 lifting points and 2 load beams with a total payload of 150 kg plus 350 kg for 3 persons and small materials.
 

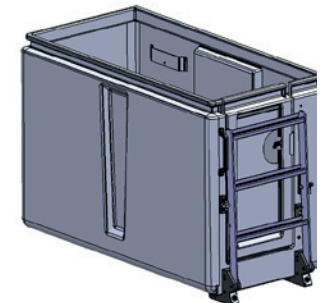
**Use of the lift-up system without reducing the total platform load capacity**  
 (other products in this class reduce the load capacity by up to 180 kg)
  
- ✕ Entry close to the ground and loading of material from the left and right possible. Particularly low access threshold above the ground thanks to the variable turret.
 

**The only machine in this class that can be loaded close to the ground!**

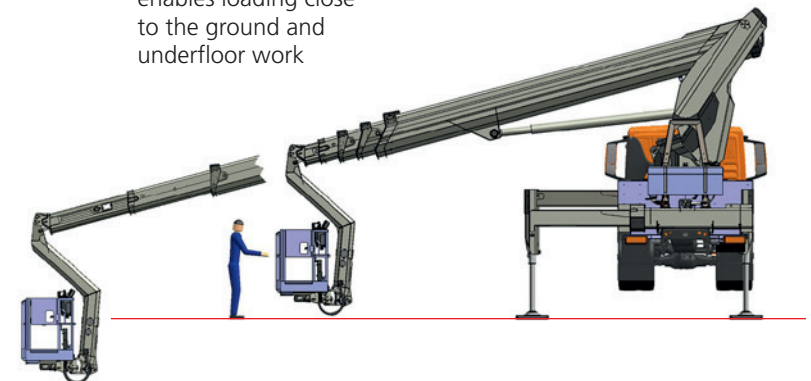
The standard work basket is prepared for the lift-up system and lifts loads of up to 150 kg plus 350 kg for people and small items.



At 490 kg, the GRP work basket has the highest load capacity in this class.








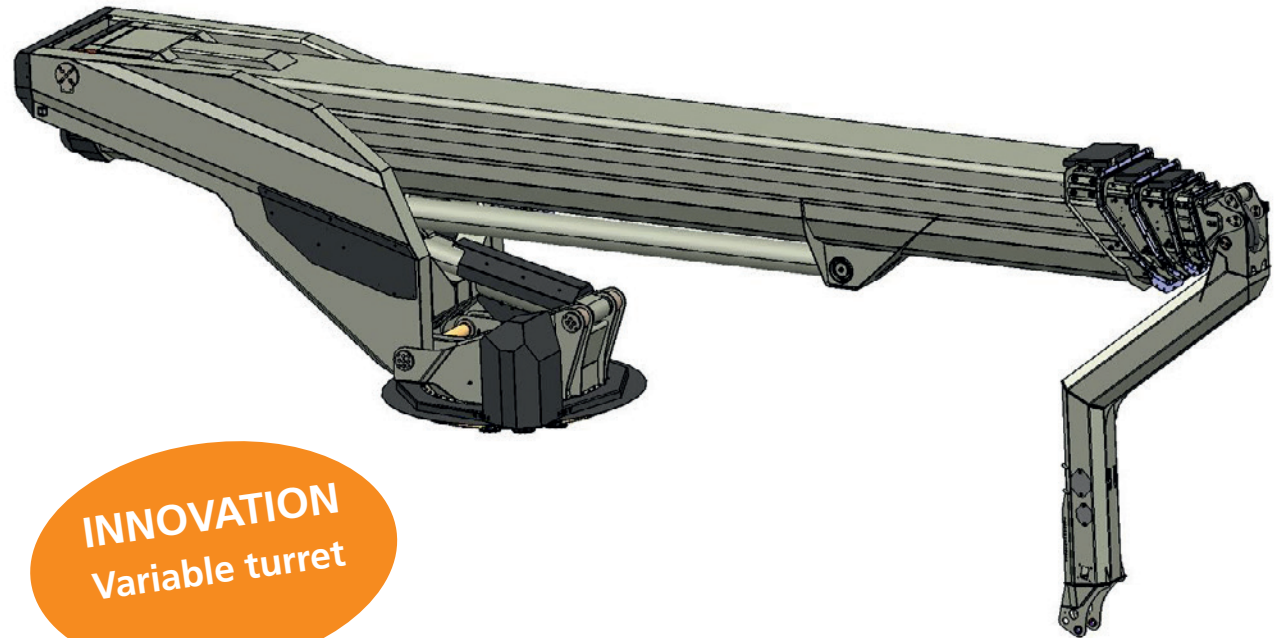
The variable turret enables loading close to the ground and underfloor work



\*Subject to technical changes, all specifications are approximate

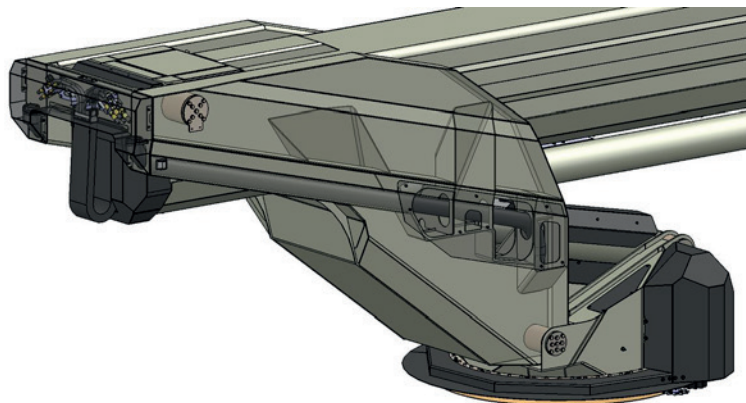
## Boom System

-  5-fold carrier system
-  Optimised support profile of the boom ensures a very stable and robust design
-  Shorter vehicle overall length thanks to a variably adjustable turret
-  High-strength fine-grained steel for maximum stability
-  Protected cable carrier on both sides

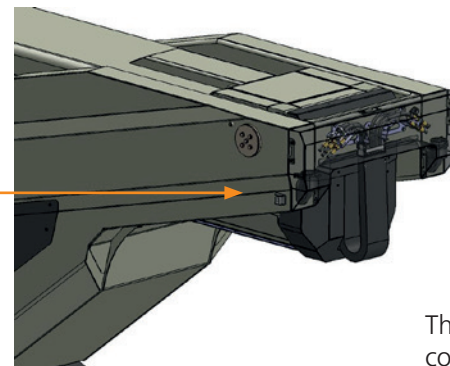


**INNOVATION**  
Variable turret

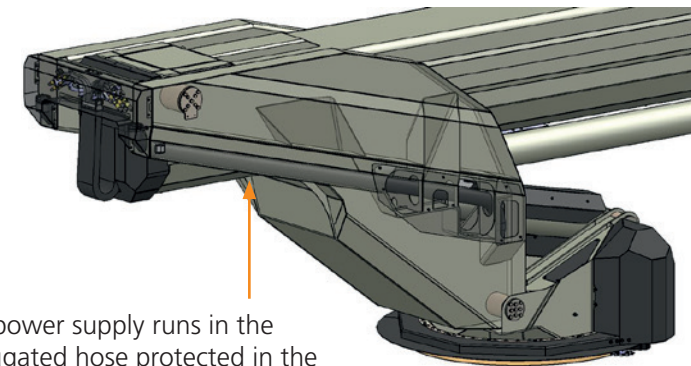
 **Simple operation with Premium technology with maximum stability**



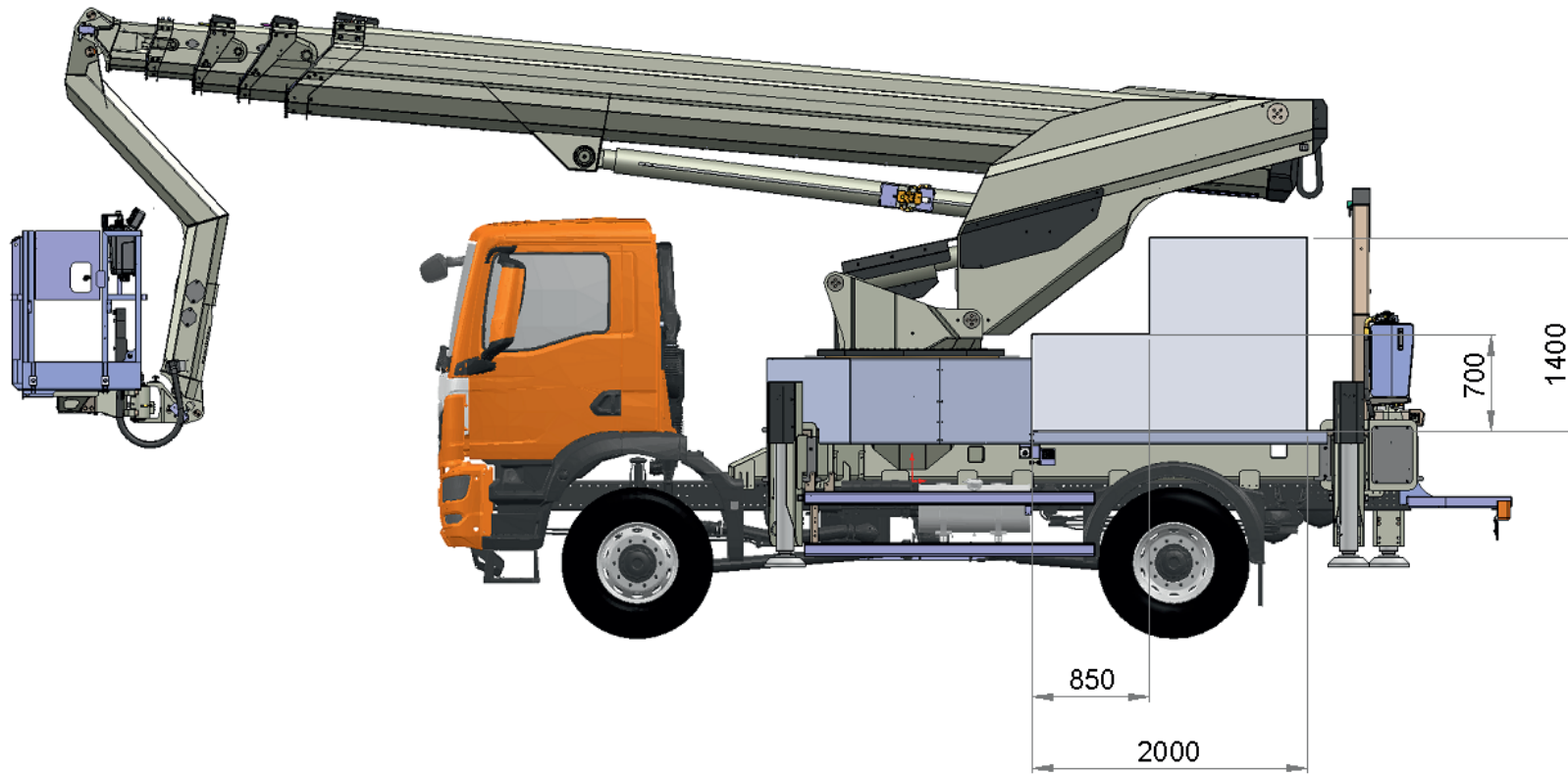
Energy chain in the turret, carrier protected in the rear area



The power supply runs in the corrugated hose protected in the turret cheek.



## Loading area and box bodies



- ✘ Compared to other designs, the variable turret of the STEIGER T 380 XS allows spacious box bodies to be fitted to the loading area.
- ✘ Significant space gain of around 40% more stowage volume (ca. 2 m<sup>3</sup>)
- ✘ Box body with optional drop sides

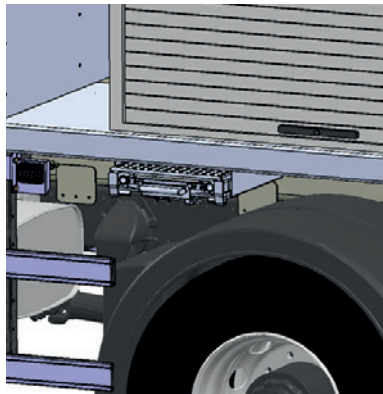


The box body can be conveniently loaded using the optional extendable ladder.

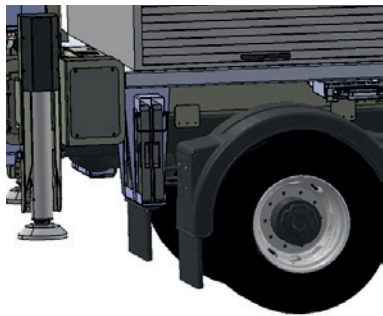
\*Subject to technical changes, all specifications are approximate



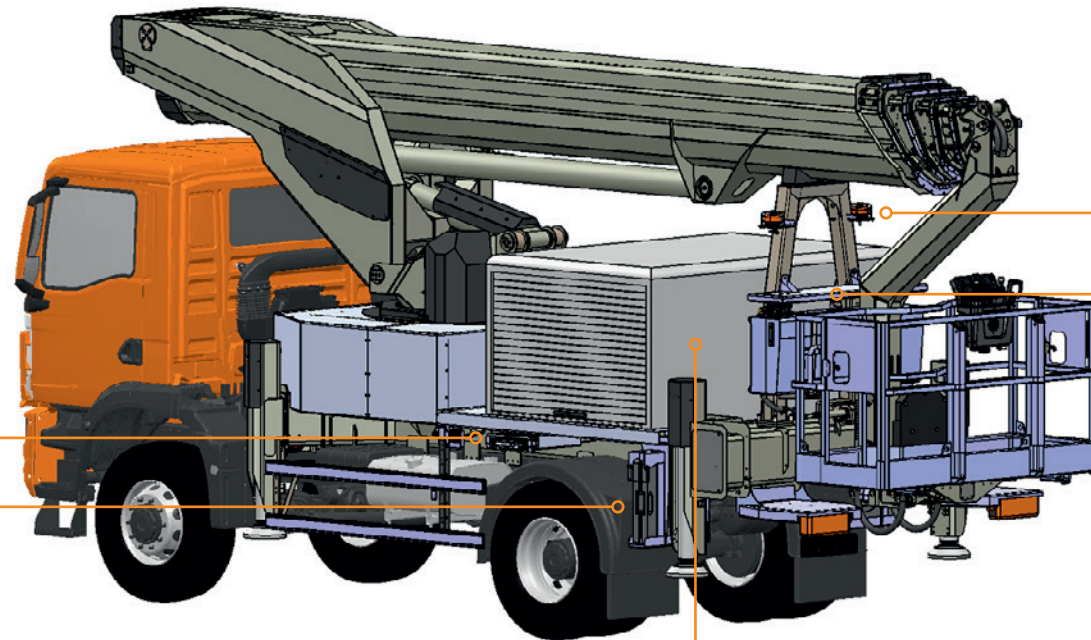
## Equipment variants for your application



**Access ladder** for easy access to the loading area or box body

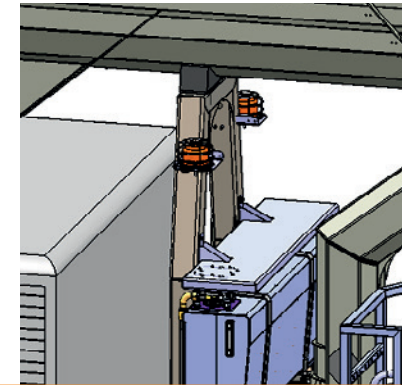


**Spreader plate holder on both sides:** plastic spreader plates for the outriggers with handles and a non-slip/rubberised underside

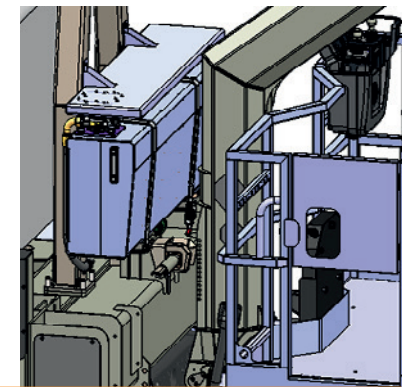


**MORE VALUE**  
equipment for your needs

**High-quality, high box construction,** roller shutters on both sides, intermediate shelf and three drawers for small items

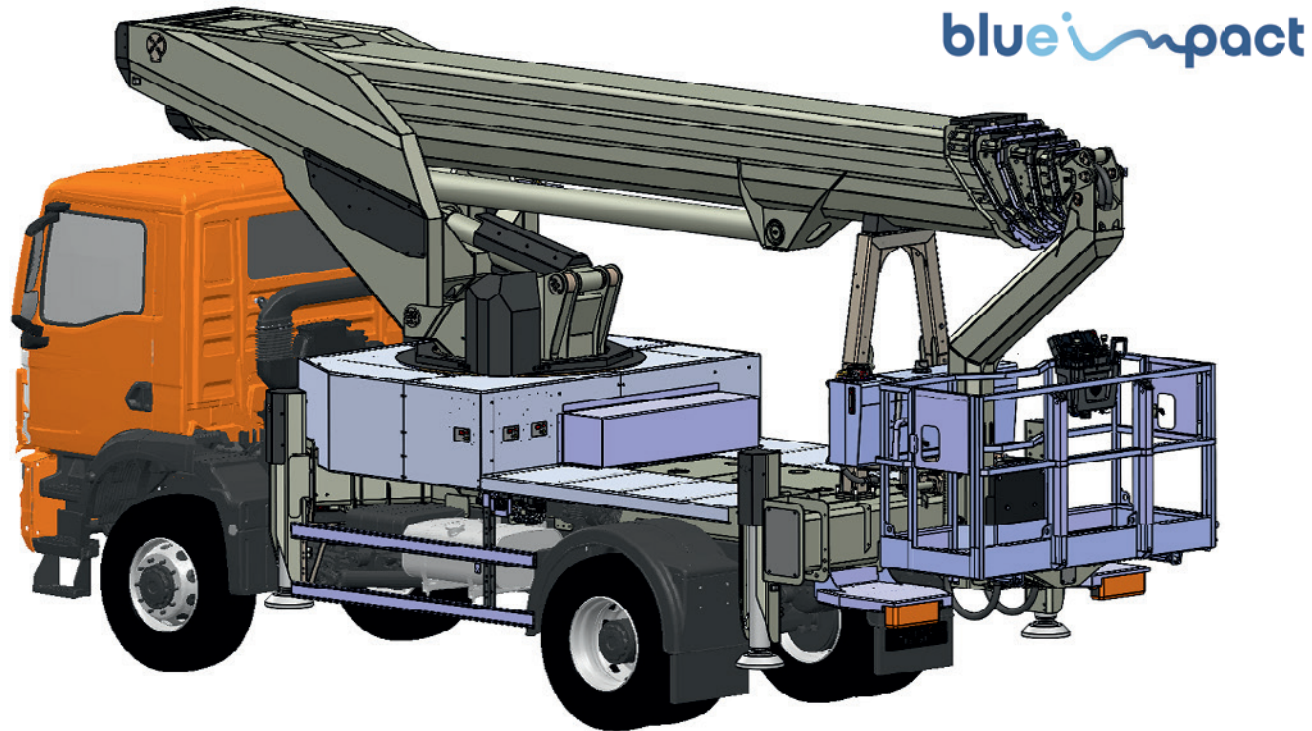


**LED lights on the carrier support,** separately switchable via an original truck switch/button in the dashboard



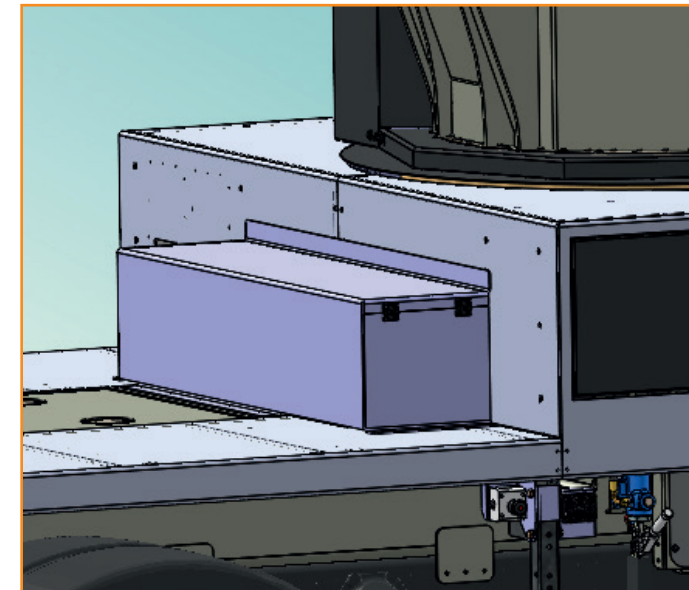
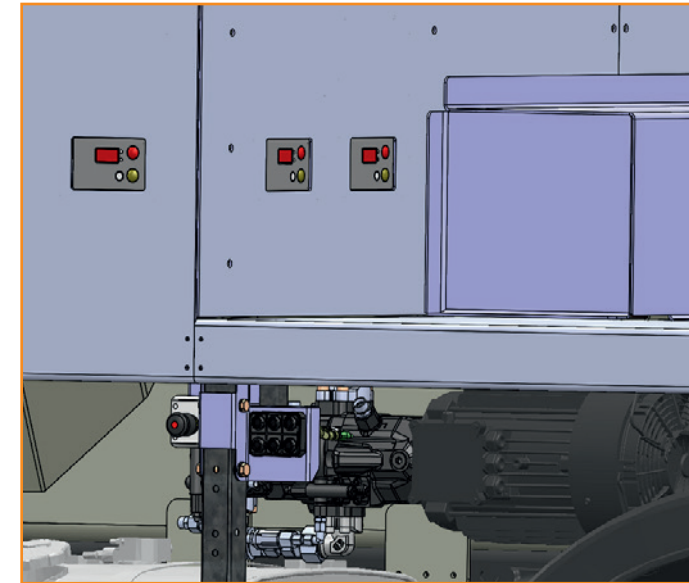
**Cover over the tank:** Cover on the boom support to protect the hydraulic tank unit, e.g. during pruning work

## Optional hybrid system without sacrificing performance



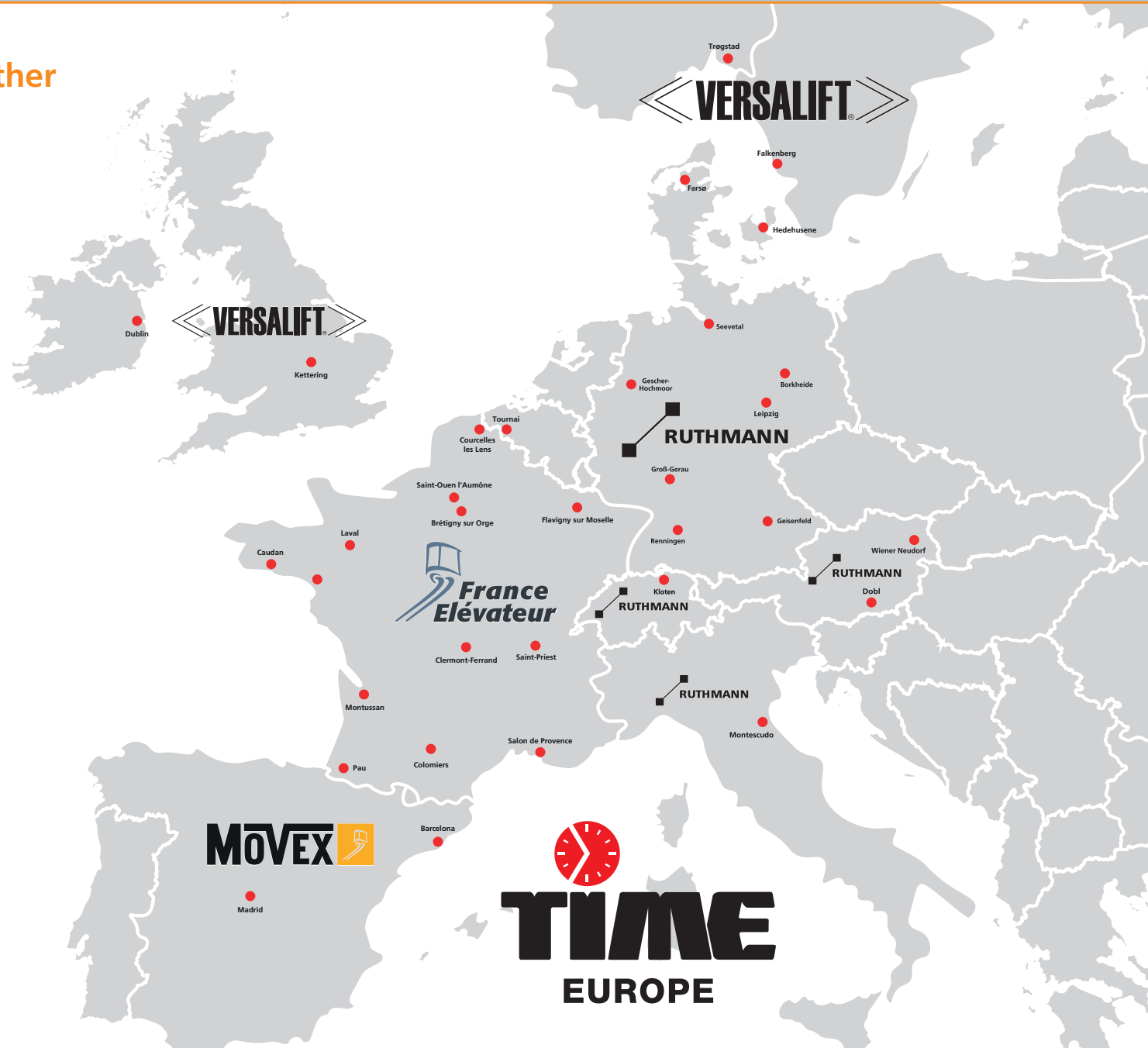
- ✘ Hybrid system 20 kW output, no loss of performance compared to the conventional diesel drive.
- ✘ Lithium-ion battery with 23 kWh, practical for an average working day.
- ✘ Charging power 3, 6 and 9 kW - at 3 kW also via 230V (Schuko plug), otherwise via 400V CEE supply.
- ✘ Compact integration of the hybrid system, resulting in further optional extras e.g. case, loading area can be used.

\*Subject to technical changes, all specifications are approximate



## RUTHMANN service that goes further

With numerous factory-owned service stations and service points (mobile service vehicles) in Europe, **TIME Europe** has one of the most efficient service networks in the access platform industry.



[en.ruthmann.de](http://en.ruthmann.de)

\*Subject to technical changes, all specifications are approximate

STEIGER® T 380 XS



**RUTHMANN Holdings GmbH**  
Ruthmannstraße 4  
48712 Gescher  
GERMANY



Mercedes-Benz

**IVECO**



Phone: +49 2863 204-0  
Fax: +49 2863 204-212

Internet: [www.ruthmann.de](http://www.ruthmann.de)  
E-Mail: [info@ruthmann.de](mailto:info@ruthmann.de)