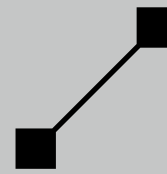


STEIGER®



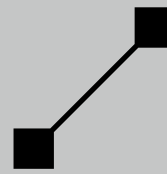
RUTHMANN
professionals at work



WIDE ASSORTMENT OF WORK BASKETS

Your STEIGER® workspace
for **T-** & **TU-**STEIGER® models





ASSORTMENT OF WORK BASKETS



Your STEIGER® workspace

Work baskets safely lift personnel and building material to the desired location. When individually tailored to the specific assignment, the performance range of the **RUTHMANNSTEIGER®** is greatly enhanced.





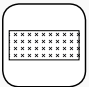
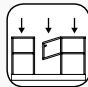

We have a wide selection of aluminium baskets to choose from – from the standard basket to the extra-wide basket with entry/exit points on both sides. There are also many types of fully insulated synthetic baskets to choose from. This increases versatility at the jobsite and allows the STEIGER® to tackle an even greater number of different assignments.

The broad range of baskets is available on STEIGER® models (to 36 m) in the T series (T 170, T 190, T 230, T 285, T 300.1, T 330, and T 360) and also on the TU 285. The interchangeable basket system is a standard feature on all STEIGER® models.


Many additional extras – folding seats, heating systems, etc. – allow you to customize your work baskets to suit your own individual needs.

More informationen:

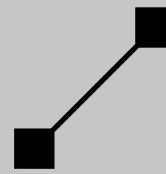
www.ruthmann.de/assortment-work-baskets

| Work basket features | | | |
|---|---|---|---|
|  | Basket size |  | Movable control panel |
|  | Maximum basket load capacity (depending on the model) |  | Number of entry/exit points |
|  | Basket floor |  | Location of entry/exit points (left rear right) |
|  | Insulation available | | |

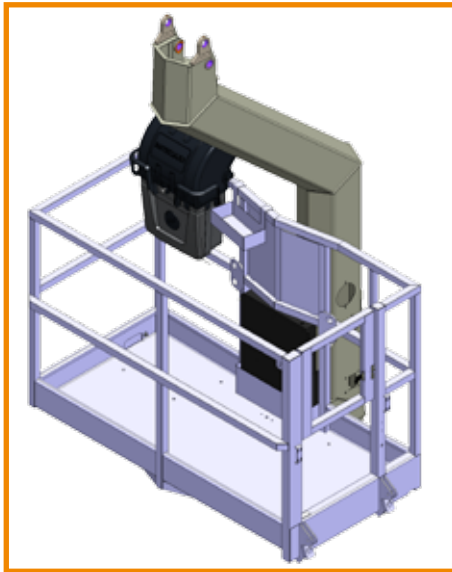
 Standard equipment

 Optional equipment

All data has been included without warranty. All measurements and weights are approximate and refer to the standard basic execution. Technical alterations reserved. STEIGER®, GELENKSTEIGER®, RÜSSEL® and CARGOLOADER® are registered trademarks of **RUTHMANN** GmbH & Co. KG



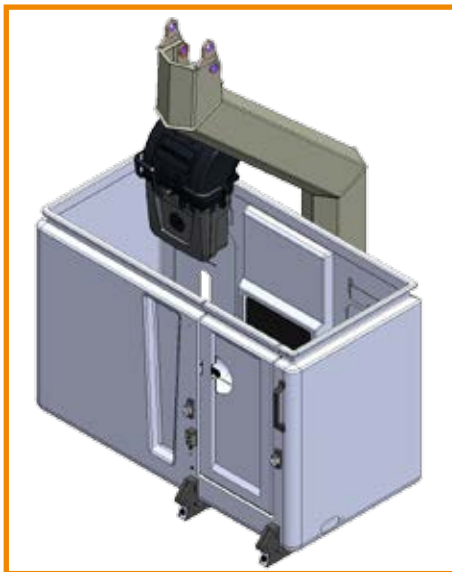
ASSORTMENT OF WORK BASKETS



Standard aluminium basket

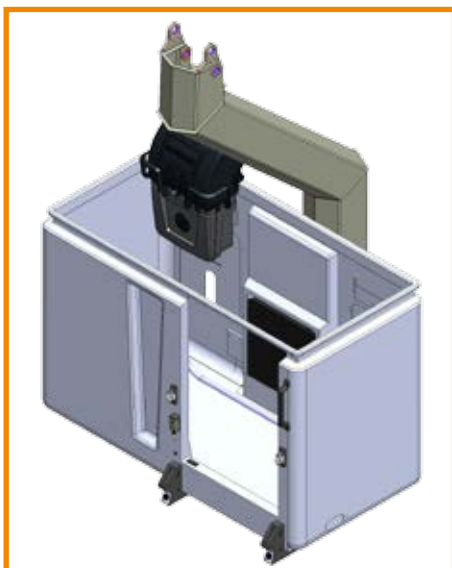
| | | | |
|--|---------------|--|-----------|
| | 1.71 x 0.86 m | | ✓ |
| | 350 kg | | 1 |
| | AMAG-Top-Grip | | ✗ ✗ ✓ |
| | ✗* | | |

* Insulated version also available.



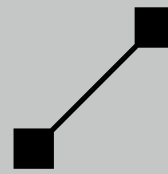
Standard synthetic basket

| | | | |
|--|---------------------|--|-----------|
| | 1.71 x 0.85 m | | ✓ |
| | 320 kg | | 1 |
| | Slip-resistant type | | ✗ ✓ ✗ |
| | ✓ | | |

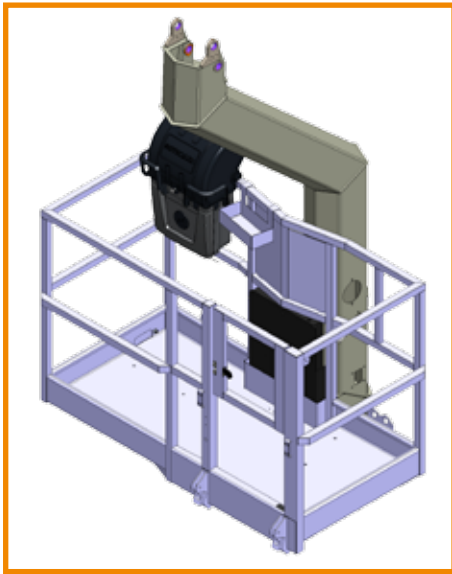


Synthetic basket – end-to-end handrail

| | | | |
|--|---------------------|----------------------------------|-----------|
| | 1.71 x 0.85 m | | ✓ |
| | 320 kg | | 1 |
| | Slip-resistant type | | ✗ ✓ ✗ |
| | ✓ | Continuous handrail without door | |



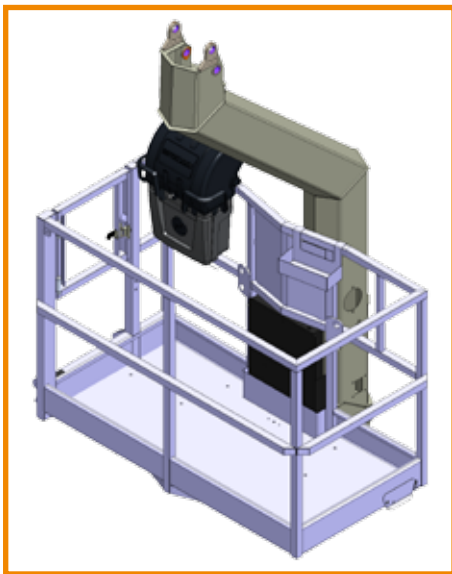
ASSORTMENT OF WORK BASKETS



Aluminium basket – rear entry

| | | | |
|--|---------------|------------------------|-----------|
| | 1.71 x 0.86 m | | ✓ |
| | 350 kg | | 1 |
| | AMAG-Top-Grip | | ✗ ✓ ✗ |
| | ✗* | Safety loops at bottom | |

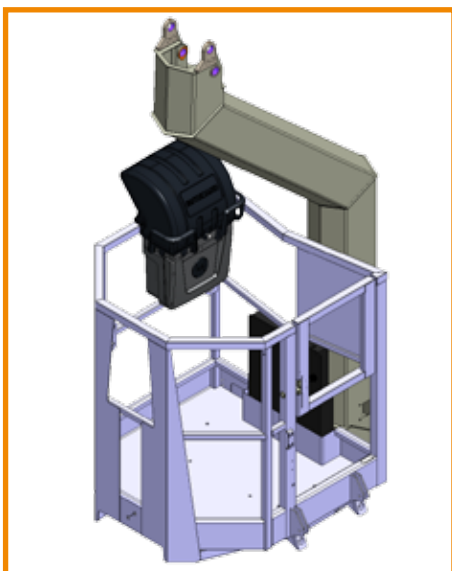
* Insulated version also available.



Aluminium basket – entry on left

| | | | |
|--|---------------|--|-----------|
| | 1.71 x 0.86 m | | ✓ |
| | 350 kg | | 1 |
| | AMAG-Top-Grip | | ✓ ✗ ✗ |
| | ✗* | | |

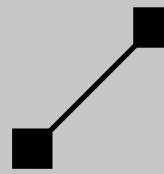
* Insulated version also available.



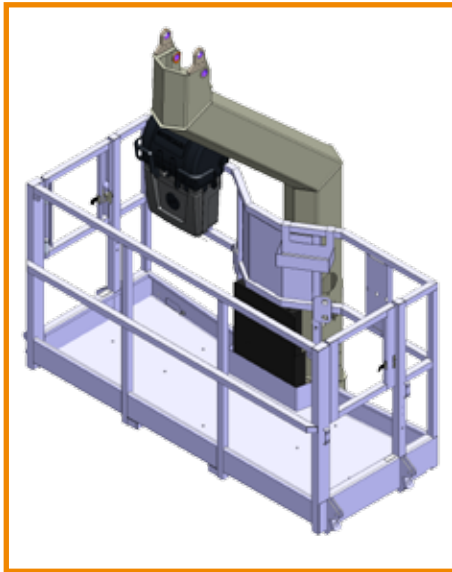
Aluminium basket – tree cutting/pruning

| | | | |
|--|---------------|--|-----------|
| | 1.05 x 1.05 m | | ✗ |
| | 350 kg | | 1 |
| | AMAG-Top-Grip | | ✗ ✗ ✓ |
| | ✗* | | |

* Insulated version also available.



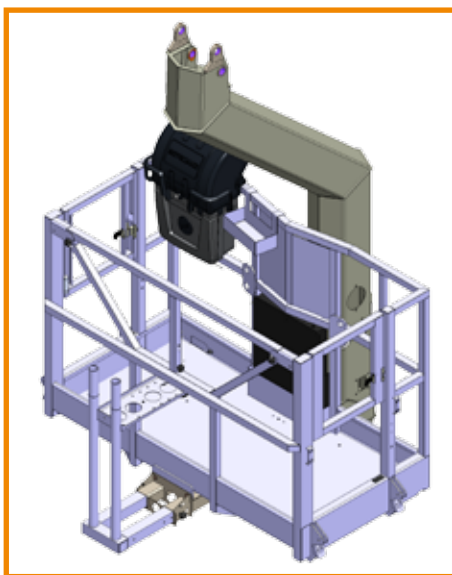
ASSORTMENT OF WORK BASKETS



Aluminium basket – extra-wide

| | | | |
|--|---------------|--|-----------|
| | 2.10 x 0.86 m | | ✓ |
| | 330 kg | | 2 |
| | AMAG-Top-Grip | | ✓ ✗ ✓ |
| | ✗* | | |

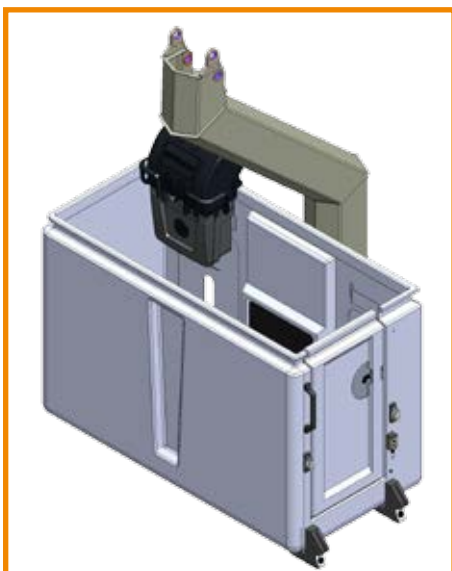
* Insulated version also available.



Aluminium basket – camera basket

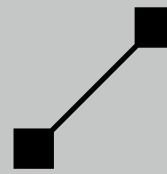
| | | | |
|--|--------------------------|--|-----------|
| | 1.71 x 0.86 m | | ✓ |
| | 340 kg (240 kg**) | | 2 |
| | AMAG-Top-Grip | | ✓ ✗ ✓ |
| | ✗ | | |

** maximum basket load capacity with activated camera system



Synthetic basket – entry on right Available soon

| | | | |
|--|---------------------|--|-----------|
| | 1.71 x 0.85 m | | ✓ |
| | 320 kg | | 1 |
| | Slip-resistant type | | ✗ ✗ ✓ |
| | ✓ | | |



ASSORTMENT OF WORK BASKETS

Camera Bracket

The practical camera bracket facilitates steady and smooth filming from high up. The brackets can accommodate cameras that weigh up to 100 kg.



Distance Measuring Sensor

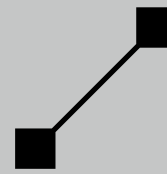
The distance sensor, with its state-of-the-art ultrasonic technology (scanning range to 1300 mm and ultrasonic frequency of 200 kHz) further increases the level of safety and convenience in the work cage. With the sensor mounted on the work cage console, operators can avoid unintentional collisions with sensitive objects.



Toolbox

Each of our work baskets comes equipped with a standard toolbox to store tools or other items. The toolbox is located in the middle of the basket and is easily accessible from all sides. It is fully adjustable for even greater flexibility when working.





ASSORTMENT OF WORK BASKETS

Cleaning Hatch

Tree clippings, cables, garbage etc. – everything often ends up on the work cage floor. Thanks to the practical cleaning hatch, the cage floor can quickly be cleaned with either a broom or air/water pressure. Regular cleaning of the cage floor is important as it eliminates slip and trip hazards.



Folding Seat

Constant standing on long work assignments is very strenuous, leads to poor concentration and increases the risk of accidents. To avoid this, the folding seat – for operator and accompanying personnel – offers a simple and straightforward way to relax. The seat is installed in a particularly space-saving way because of the innovative folding mechanism.

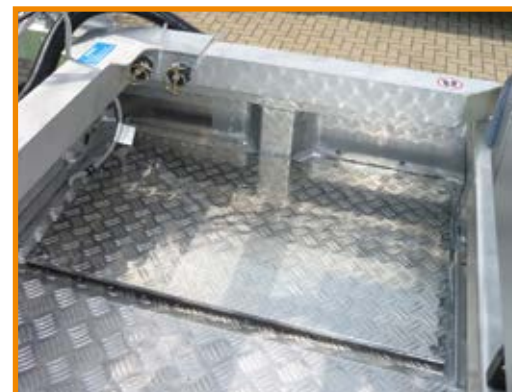


Heating Systems for Control Panel and Work Cage

Being well prepared for cold weather is extremely important. Professional heating systems get operators and STEIGER® work platforms ready for the winter season. We offer four different systems to keep control panels and work baskets frost-free:

1. Fan heater for control panel (see below)
2. Infrared radiator for control panel (see top right)
3. Aluminum heating plate in the work cage (see below right)
4. Infrared heating mat in the work cage (without illustration)

Of course, all systems can be combined as desired. A 230 V power supply is required for all heaters.



STEIGER®

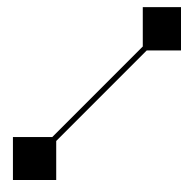


Ruthmann GmbH & Co. KG

Von-Braun-Straße 4
48712 Gescher-Hochmoor
GERMANY

Phone: +49 2863 204-0
Fax: +49 2863 204-212

Internet: www.ruthmann.de
E-mail: info@ruthmann.de



RUTHMANN
professionals at work



... sind wir auch Ihr Partner
für den Verkauf und
Service von VERSALIFT® in
D, AT, CH



... we are also your sales
and service partner of
VERSALIFT® in D, AT, CH